

# TECHNICAL SERVICES REQUEST (TSR)



510 N. Main Street  
Suite #2, Sycamore, IL 60178  
Phone: 815-895-4205  
Mobile: 847-514-5351  
Fax: 815-895-9705

Name \*

Title \*

Company Name\*

Company Address \*

City \*

State \*

Zip \*

Phone Number

Fax

E-mail \*

Device/Application

Fluid/Gas to be sealed

Temperature (max/op/min)

Pressure (max/op/min)

Select:   Static           Rotary/Oscillatory           Linear/Reciprocating Motion

Seal is:   Radial/Rod           Radial/Piston           Face/Internal Press.           Face/External Press.

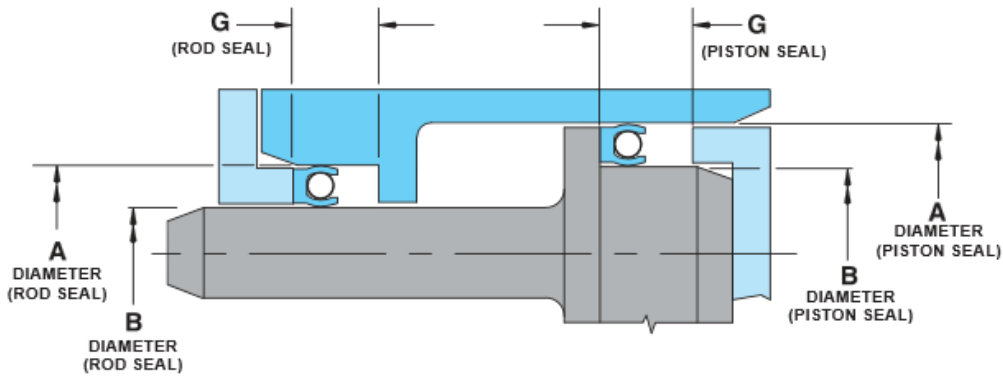
If Rotary/Oscillatory, what RPM?

If Linear/Reciprocating, what stroke length

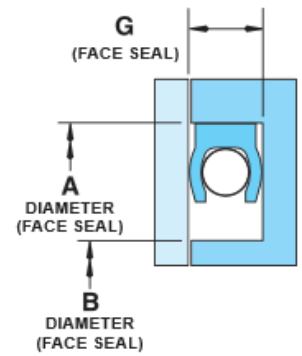
If Linear/Reciprocating, what strokes per min.

Allowable leakage

## Radial Seal Grooves (Rod/Piston)



## Face Seal Groove



A Diameter

A Tolerance

B Diameter

B Tolerance

G Diameter

G Tolerance

Can gland be changed:    Yes            No

## Hardware

Dynamic Surface - Material

Dynamic Surface - Hardness (HRC)

Dynamic Surface - Finish (Ra)

Static Surface - Material

Static Surface - Hardness (HRC)

Static Surface - Finish (Ra)